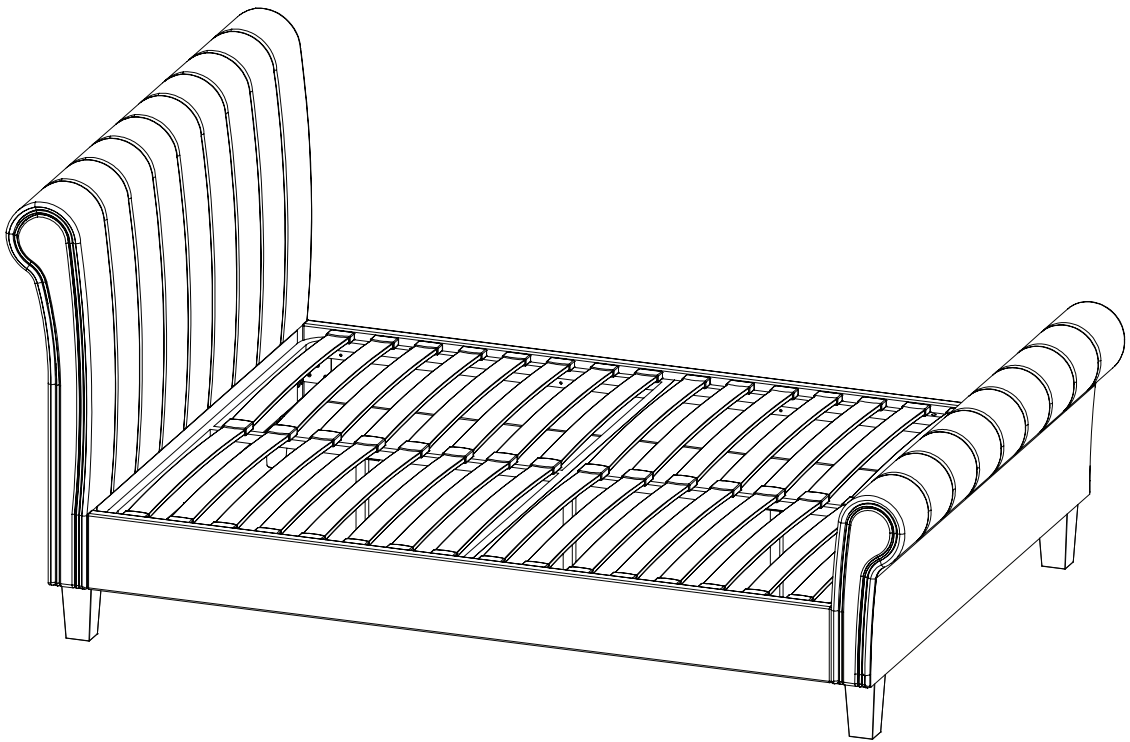
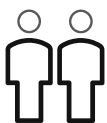


Hambleton Bed Frame

Double
King
Super King



1 hour approx
assembly time



Two person
assembly

feather&black

Thank you

Hello, thanks for choosing to purchase your bed from Feather & Black - you're now on your way to your best ever night's sleep. Before you begin building your bed, please take a moment to read through the instructions and make sure that you've got all the relevant parts listed on the following pages.



Assembly tips

Before you begin, it's best to identify all parts and fittings to build your bed. We advise laying these out on the floor to check you have everything, and familiarising yourself before building.



Top tip

We recommend that you build your new bed in the room you'd like it to be located - this will help prevent any risk of damage to your newly built bed whilst moving it.



Safety and care

It's really important to ensure children and animals are kept away from the assembly area, as there are small components used in this bed which could present a choking hazard. All plastic and wrapping materials should also be kept away from children and animals to prevent any risk of suffocation. To keep your little ones busy, there is a colouring page inside the back cover.



Help and support

At Feather & Black, it's our mission to give the whole nation a great night's sleep - this means that the quality of our products is of utmost importance to us. If there are any issues with your product or any missing parts, please contact our Help Centre on 01243 380 600 where a member of our team will be happy to help.



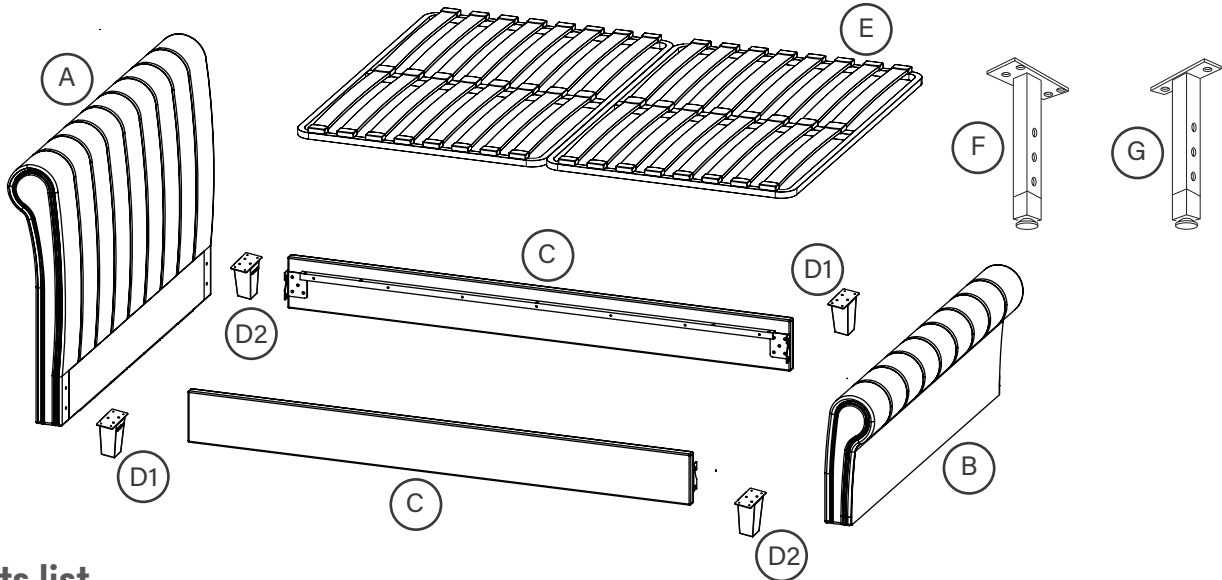
Recycling

Please ensure that packaging is disposed of in a safe and environmentally friendly way, and recycle where possible. Our assembly instructions are printed on recycled paper. Please keep your assembly instructions safe to refer back to in the future.

Parts

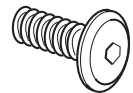
Important information.

The bed you have purchased comes with sprung slats, please follow the instructions below in the current order. The metal frame & slats (E), the support legs (F&G) and support leg bolts (p) are packed in the sprung slat frame carton that is supplied as a separate pack.



Parts list

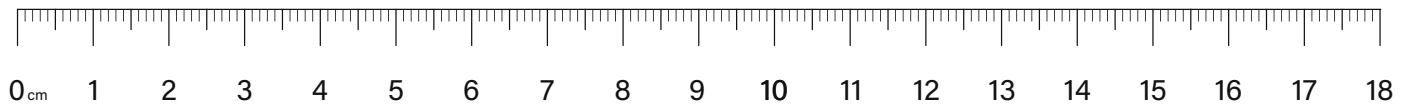
A.	Headboard	1	E.	Sprung Slat Frame	1
B.	Footboard	1	F.	Sprung Slat Frame Centre Support Leg	1
C.	Side rails	2	G.	Sprung Slat Frame Outer Support Legs	2
D1&D2.	Legs	2 Prs	p.	Bolts (M6x15mm) for fitting the sprung slat frame support legs (F&G).	8



Tools required



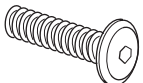


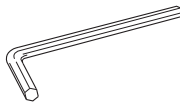
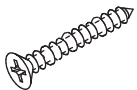
Cross head screwdriver



Fittings

Please check you have all the parts listed below with your product:


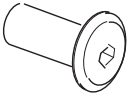


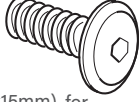

Hardware pack (A) needed for fixing side rails and legs to headboard & footboard - packed in side rail pack 3 of 3

<p>a x8</p>  <p>Bolts (M8x30mm) for fitting side rails (C) to headboard & footboard (A&B)</p>	<p>b x8</p>  <p>Spring Washers for M8 Bolts</p>	<p>c x8</p>  <p>Flat Washers for M8 Bolts</p>	<p>d x1</p>  <p>Allen Key for M8 Bolts</p>	<p>j x16</p>  <p>Screws (4x25mm) for fitting legs (D) to headboard & footboard (A&B)</p>
--	--	--	---	---

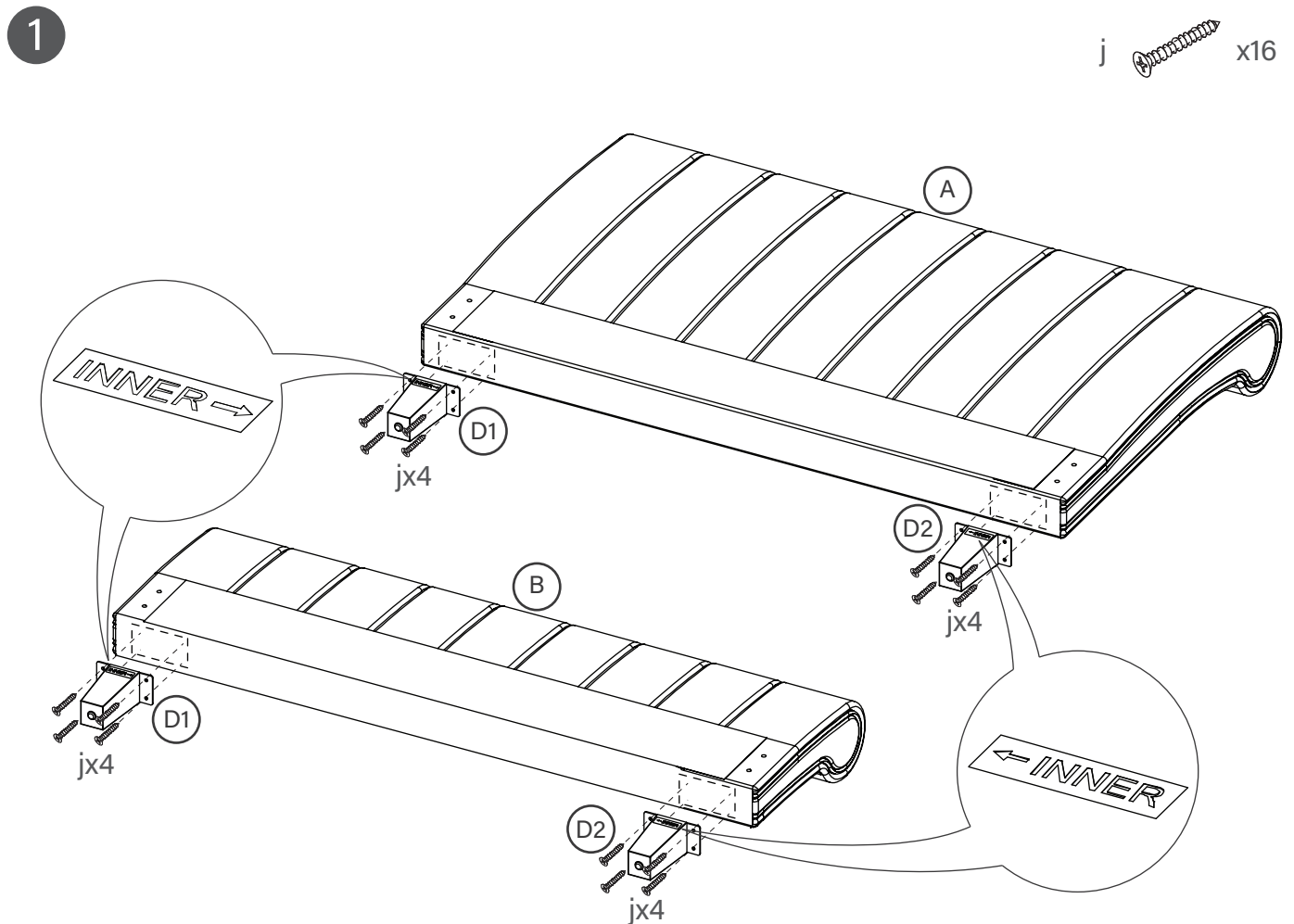
Fittings

Please check you have all the parts listed below with your product:

Hardware pack (B) needed for fixing sprung slat frame to side rails - packed in side rail pack 3 of 3

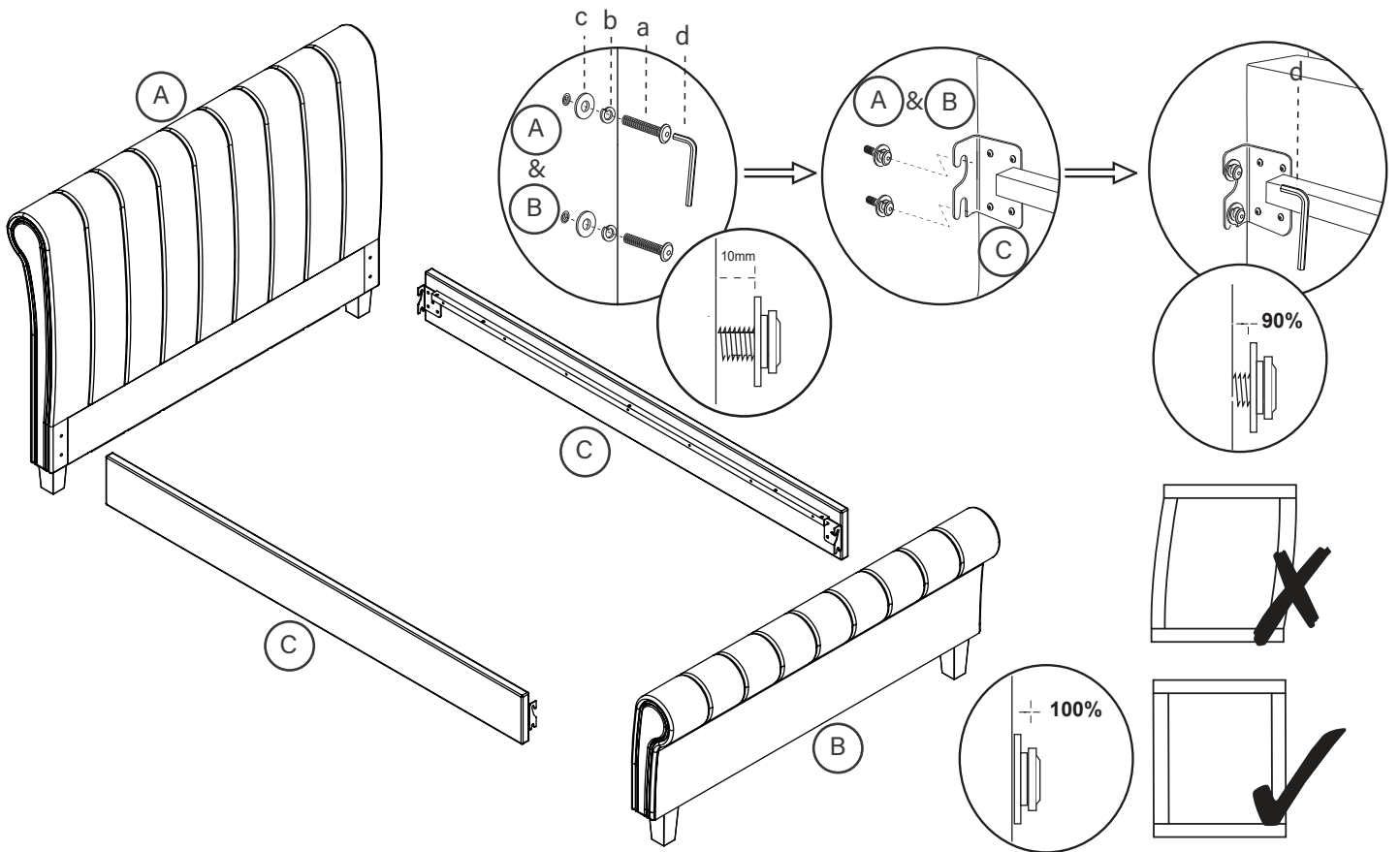
<p>e x4</p>  <p>Bolts (M6x40mm) for fitting the sprung slat frame (E) to side rails (C)</p>	<p>f x4</p>  <p>Sleeve Nuts for M6 Bolts</p>	<p>g x4</p>  <p>Flat Washers for M6 bolt</p>	<p>h x1</p>  <p>Allen Key for M6 bolt</p>	<p>p x8</p>  <p>Bolts (M6x15mm) for fitting support legs (F&G) to the sprung frame (E).</p>
<p>v x4</p>  <p>Spring Washers for M6 Bolts</p>				

Bed assembly - use hardware pack 'A'



Bed assembly cont.

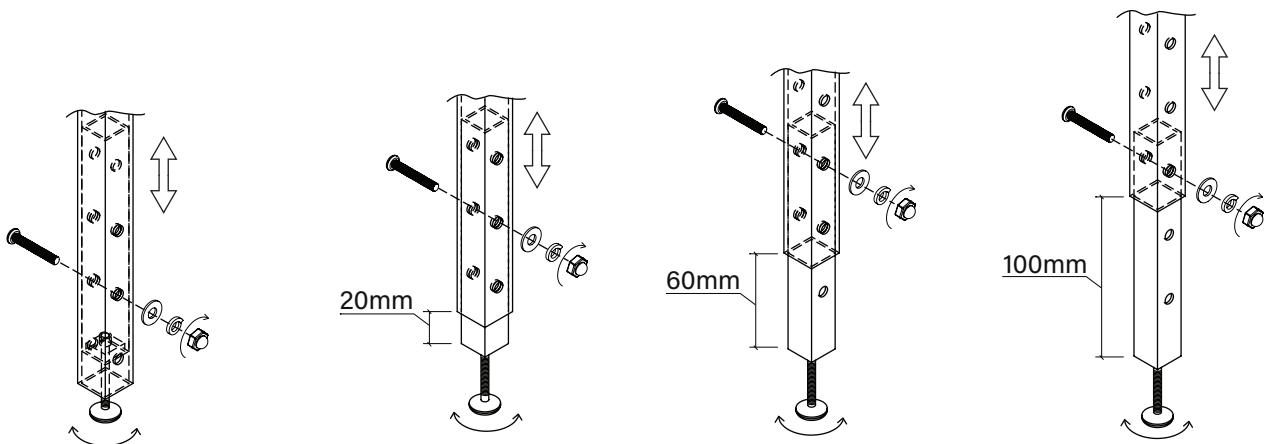
2



Fitting sprung slat frame - use hardware pack 'B'

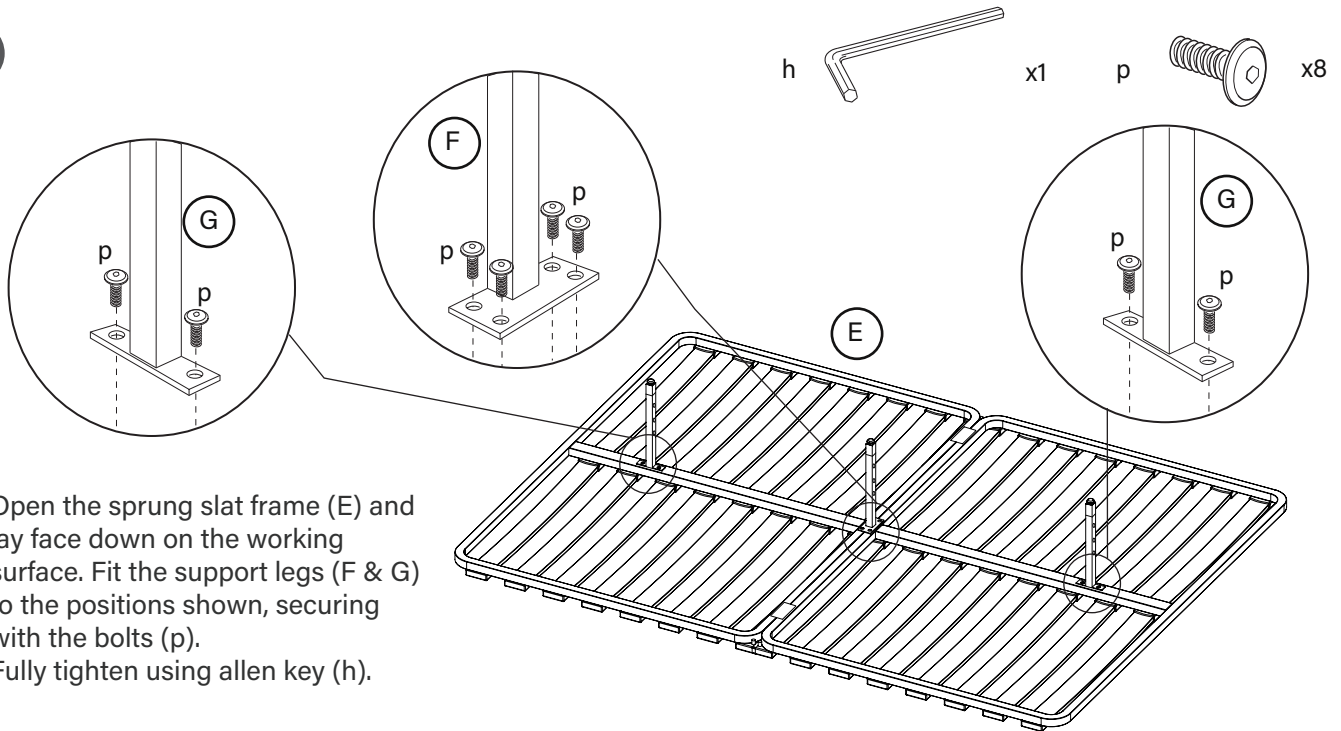
3

1. The support legs each have four adjustable parts that need to be set to suit the height of the bed slat frame. Please adjust the height of each leg by selecting the correct hole and inserting the bolts and nuts as shown.
2. You can fine-tune the height of each leg by screwing the adjustable foot in or out so it just touches the floor.



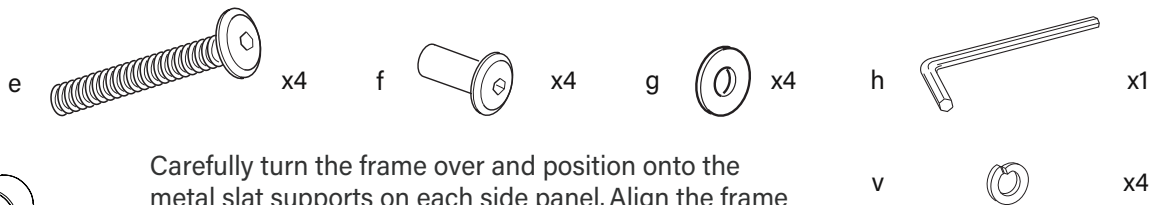
Fitting sprung slat frame cont.

4

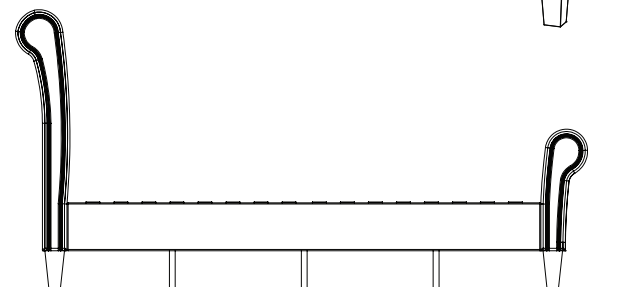
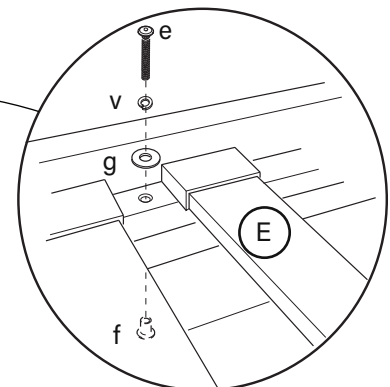
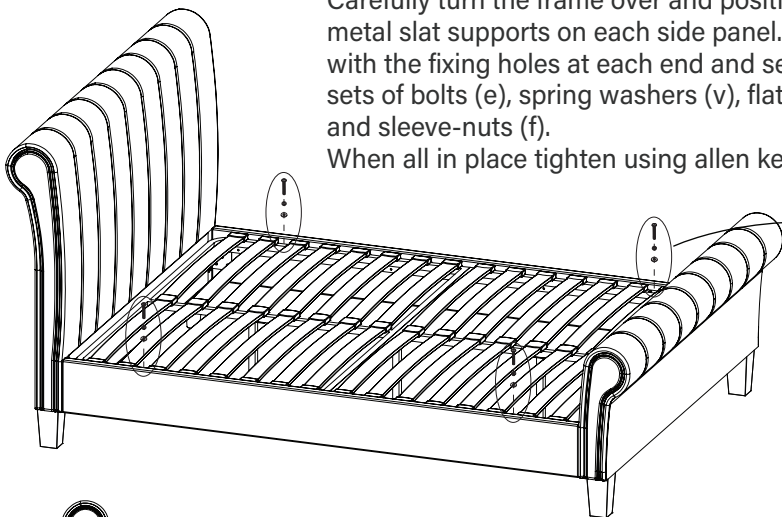


Open the sprung slat frame (E) and lay face down on the working surface. Fit the support legs (F & G) to the positions shown, securing with the bolts (p). Fully tighten using allen key (h).

5



Carefully turn the frame over and position onto the metal slat supports on each side panel. Align the frame with the fixing holes at each end and secure using four sets of bolts (e), spring washers (v), flat washers (g) and sleeve-nuts (f). When all in place tighten using allen key (h).



Finally, please check carefully that all bolts are fully tightened before the bed is used.

Overall Dimensions (LWH cm)

Double: 234 x 146 x 121

King: 244 x 161 x 121

Super King: 244 x 191 x 121

Internal Dimensions (LW cm)

Double: 193 x 138

King: 203 x 153

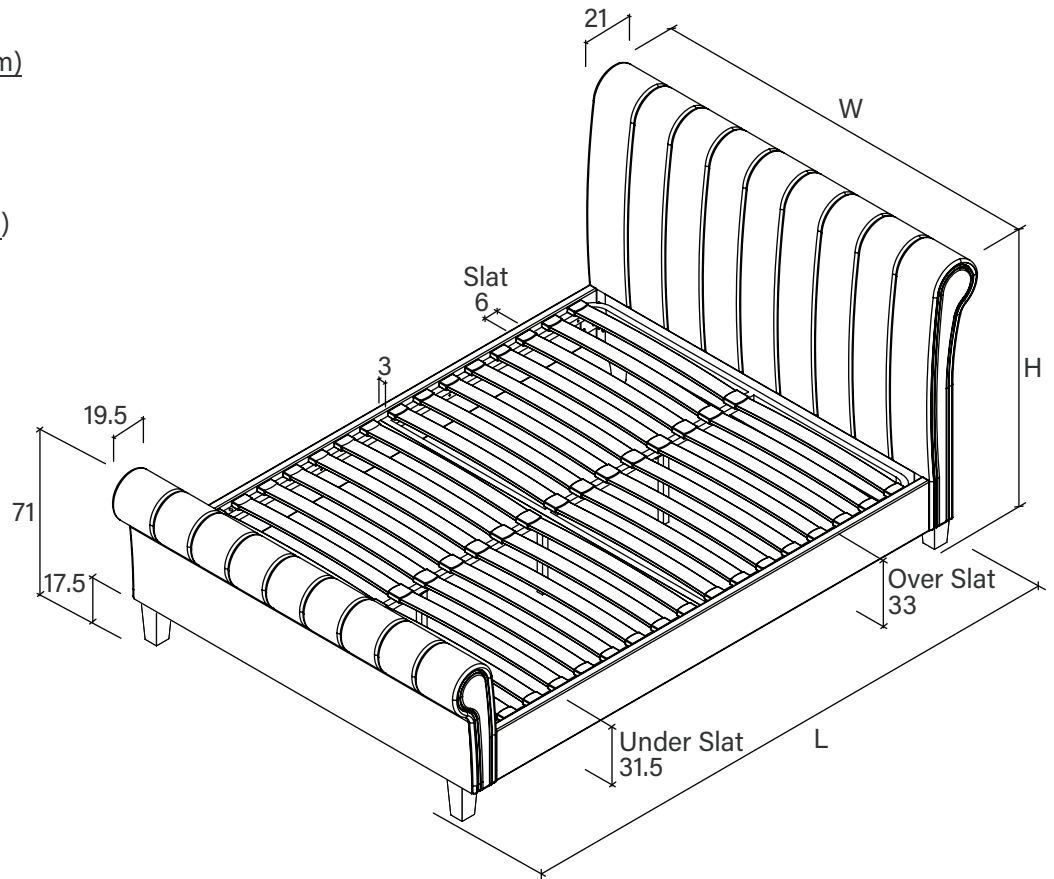
Super King: 203 x 183

Distance between slats (cm)

Double: 4.7

King: 5.2

Super King: 5.2



Care and maintenance

Here are some tips to keep your new bed in tip-top condition



Cleaning

To clean your new bed, we'd advise using a warm damp cloth or if fabric, remove dust using a low suction vacuum cleaner - please do not use abrasive chemicals or bleach as this may damage the product.



Checking and moving

Periodically we recommend you check that the screws or fixtures haven't become loose over time. To move your new bed, we recommend lifting it where possible, as dragging or pushing it could cause damage to your flooring.



Wood

Please note each of our wooden pieces are unique, meaning that markings and shade can vary slightly between beds. Over a period of time, the wood might lighten or fade slightly due to light exposure.



Fabric

Please note depending on the lighting, positioning and surroundings of your room, the shade of the colour can sometimes appear slightly different. Over a period of time the colour might lighten or fade slightly due to light exposure.



Metal

Metal tends to be more resilient to everyday wear and tear. We recommend to gently dust your metal furniture and keep it dry to maintain its look.

Thank you for shopping with us - we hope you have a great night's sleep,

Sleep well

feather&black